



LOAD CENTERS TYPE LA/LAE/LAS



CE



علامة الجودة
SASO
QUALITY MARK



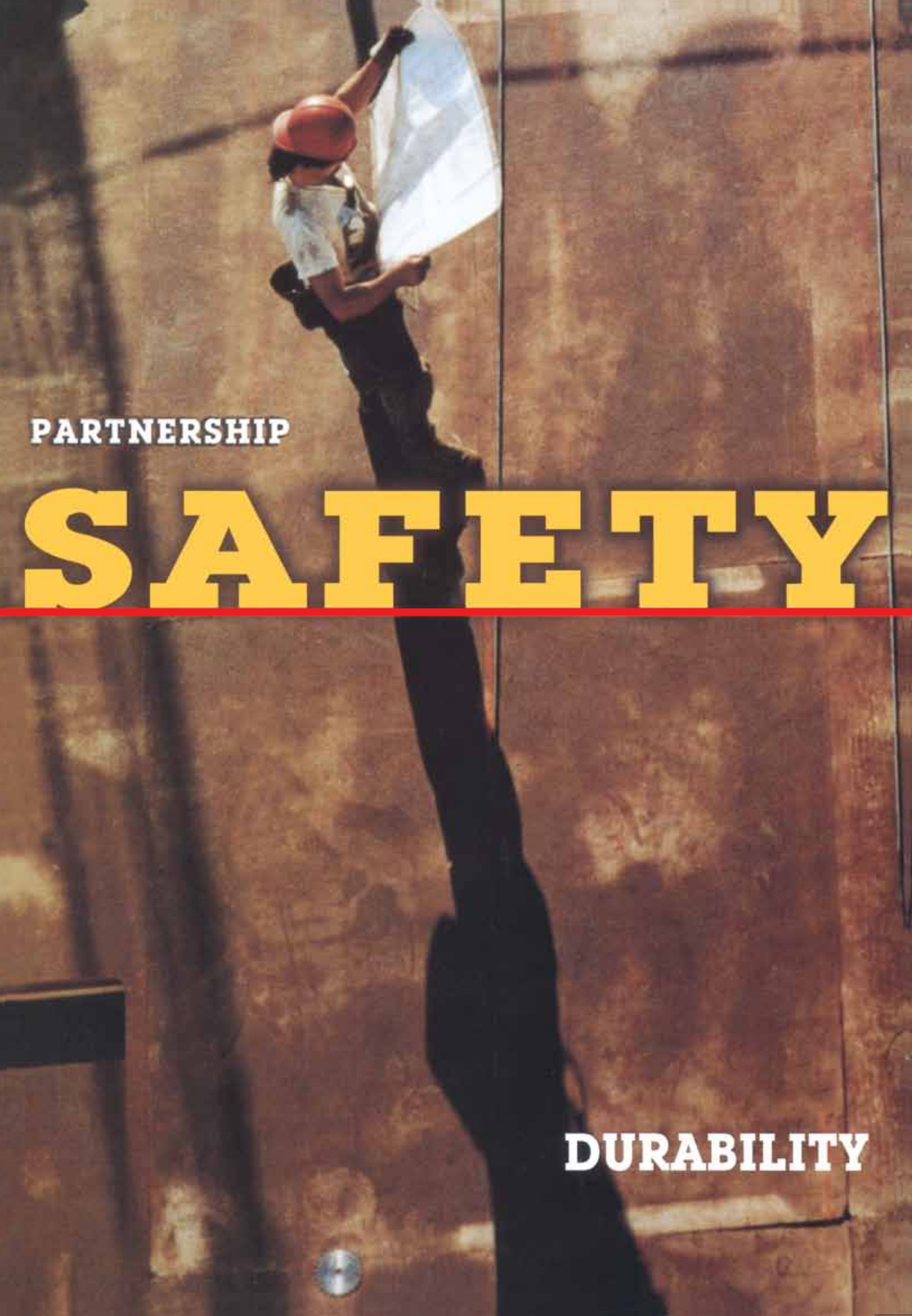
MGMT. SYS.
RVA C 046

ANAB

ISO 9001:2008
Certificate No: 34059



المنار
alfanar



PARTNERSHIP

SAFETY

DURABILITY

● APPLICATION

alfanar Load Centers have been designed for safe and reliable distribution and control of electrical power as service entrance in residential, commercial and light industrial premises. The Load Center type LA is available in Plug-in and Bolt-on designs for indoor and outdoor applications and also available with main as MCB, MCCB or ELCB.

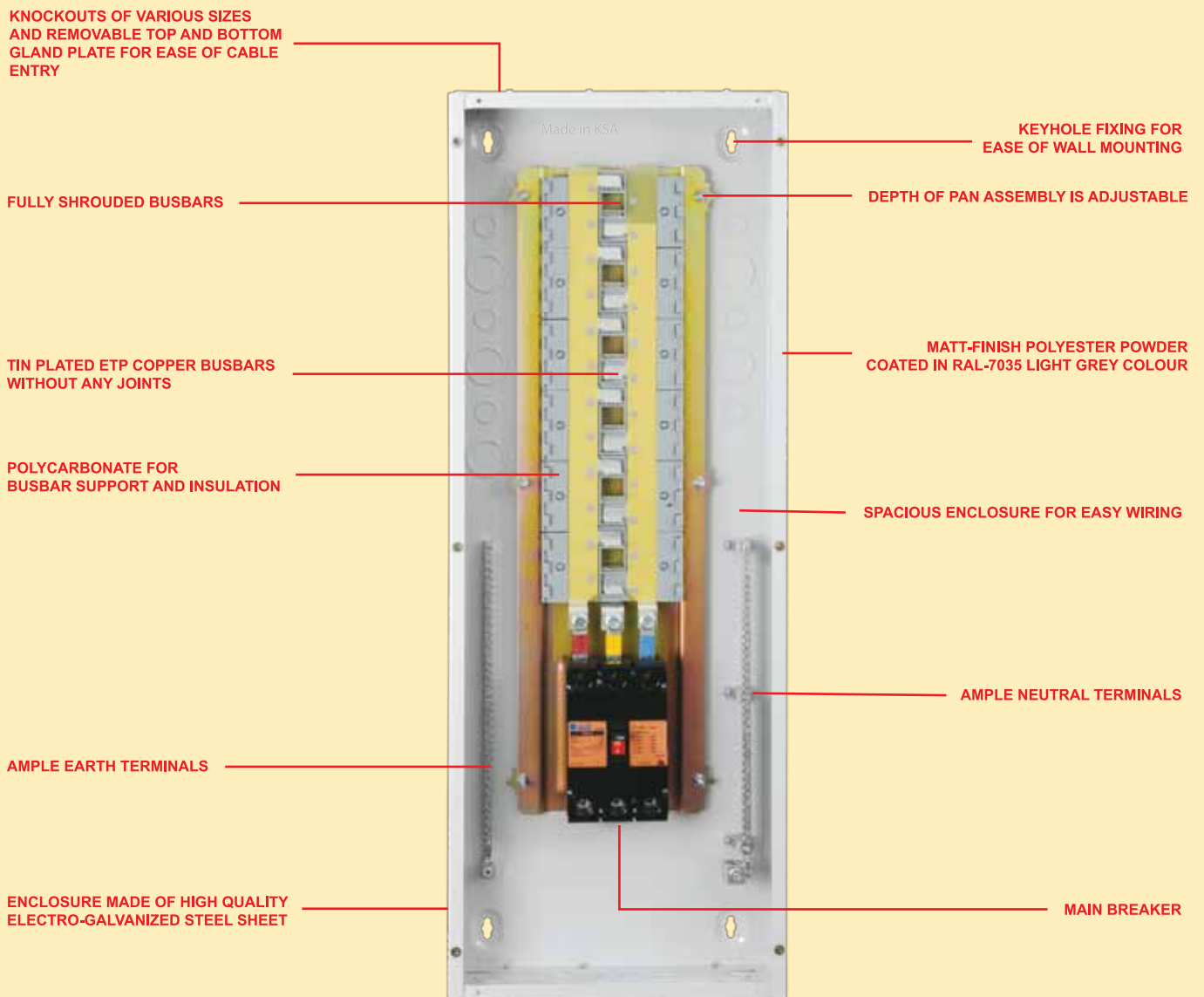


Figure 1

● FEATURES

- Made of high quality electro-galvanized steel sheet
- Tin plated ETP copper busbar without any joints
- Polyester powder coating RAL-7035
- Available cable tie & cable holding for easy wiring installations

● SPECIFICATIONS

ITEM	DESCRIPTION
Standard	NEMA PB1*
Busbar Rating	100 to 400A MAX
Busbar Type	ETP copper flat fully shrouded
Voltage Rating	120-440V AC 50/60 Hz
No. of Ways	3PH : 12,18, 24, 30, 36, 42, 48, 54 2PH : 4, 6, 8, 10 1PH : 4, 6, 8, 10, 12, 14,16
Degree Of Protection	IP40 (NEMA 1) & IP54 (NEMA 3R)
Enclosure Material	Electro-galvanized steel sheet (corrosion resistant)
Steel Thickness	Up to 1.2 mm
Knockout sizes	See details on page 10, Figure 27
Enclosure Colour	Polyester powder coated in RAL-7035 Grey colour
Paint Thickness	70-90 microns
Main Breaker (incomer)	MCB, MCCB, ELCB, ISOLATOR & DIRECT CONNECTION
Terminal Capacity	MCB Frame Size 100 A : 50 sq.mm MCCB Frame Size 100A : 95 sq.mm MCCB Frame Size 225A : 185 sq.mm MCCB Frame Size 250A : 185 sq.mm MCCB Frame Size 400A : 300+125 sq.mm ELCB Frame Size 100A : 35 sq.mm
Branches	1, 2 & 3 Pole Plug In MCBs
Neutral Terminal Bar	Incoming Cable Lug :50,150 sq.mm Outgoing Terminals : 16 sq.mm No. of Outgoing Terminals : Equivalent or more than No. of ways
Earth Terminal Bar	Incoming Cable Lug :50,150 sq.mm Outgoing Terminals :16 sq.mm No. of Outgoing Terminals : Equivalent or more than No. of ways
Rated Insulation Voltage	690 V AC
Ambient Temperature	50 °C

* 'UL' compliance panels available upon request.



Figure 2



Figure 3



Figure 4

1- INDOOR TYPE

Standard Load Center (Type LA)
NEMA Compliant Distribution Board
NEMA Standards (UL 50 & UL 67)

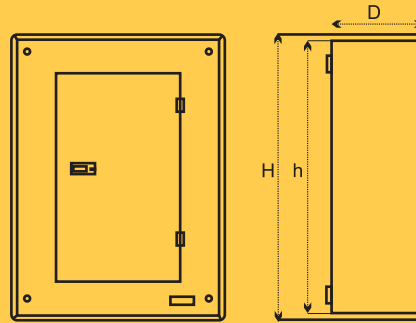


Figure 5

LA Single-Phase LC With MCB Main 30-63 AF

NO. OF WAYS	ORDERING NUMBER AND TYPE												
	1 POLE	FLUSH	H	h	W	w	D	SURFACE	H	h	W	w	D
4	42-0604063IEC		327	298	250	220	95	42-0604063IECS	303	298	225	220	95
6	42-0606063IEC		380	350	250	220	95	42-0606063IECS	355	350	225	220	95
8	42-0608063IEC		380	350	250	220	95	42-0608063IECS	355	350	225	220	95
10	42-0610063IEC		471	441	250	220	95	42-0610063IECS	446	441	225	220	95
12	42-0612063IEC		522	492	250	220	95	42-0612063IECS	522	492	225	220	95
14	42-0614063IEC		573	543	250	220	95	42-0614063IECS	548	543	225	220	95
16	42-0616063IEC		624	594	250	220	95	42-0616063IECS	599	594	225	220	95

Main Breaker: Ranges from 30-63A

For example:

42-0604040IEC Represents load center 4 way with 40A main flush mounted

42-0604063IECS Represents load center 4 way with 63A main surface mounted



Figure 6

LA Two-Phase LC With MCB Main 30-100 AF

NO. OF WAYS	ORDERING NUMBER AND TYPE												
	1 POLE	FLUSH	H	h	W	w	D	SURFACE	H	h	W	w	D
4	42-0404100		330	298	250	220	98	42-0404100S	303	298	225	220	98
6	42-0406100		380	350	250	220	98	42-0406100S	355	350	225	220	98
8	42-0408100		380	350	250	220	98	42-0408100S	355	350	225	220	98
10	42-0410100		471	441	250	220	98	42-0410100S	446	441	225	220	98

Main Breaker: Ranges from 30-100A

Change last four digits for required ratings and mounting

For example:

42-0408060 Represents load center 8 way with 60A main flush mounted

42-0408100S Represents load center 8 way with 100A main surface mounted



Figure 7

LA Two-Phase LC Without Main

NO. OF WAYS	ORDERING NUMBER AND TYPE												
	1 POLE	FLUSH	H	h	W	w	D	SURFACE	H	h	W	w	D
4	42-0304000		330	298	250	220	98	42-0304000S	303	298	225	220	98
6	42-0306000		330	298	250	220	98	42-0306000S	303	298	225	220	98
8	42-0308000		380	350	250	220	98	42-0308000S	355	350	225	220	98
10	42-0310000		420	390	250	220	98	42-0310000S	395	390	225	220	98

Busbar Rating: 100A

Change last four digits for required ratings and mounting

For example:

42-0308000 Represents load center 8 way 100A flush mounted

42-0308000s Represents load center 8 way 100A surface mounted



Figure 8

INDOOR TYPE

LA Three-Phase LC With MCB Main 30-100 AF

NO. OF WAYS		ORDERING NUMBER AND TYPE												
1 POLE	3 POLE	FLUSH	H	h	W	w	D	SURFACE	H	h	W	w	D	
6	2	42-06100	445	415	370	343	105	42-06100S	430	415	355	343	105	
9	3	42-09100	332	302	370	343	105	42-09100S	317	302	355	343	105	
12	4	42-12100	542	515	367	343	105	42-12100S	527	515	352	343	105	
18	6	42-18100	618	591	367	343	105	42-18100S	603	591	352	343	105	
24	8	42-24100	697	667	367	343	105	42-24100S	682	667	352	343	105	
30	10	42-30100	773	743	370	343	105	42-30100S	758	743	355	343	105	
36	12	42-36100	878	848	370	343	105	42-36100S	863	848	355	343	105	
42	14	42-42100	960	930	370	343	105	42-42100S	945	930	355	343	105	

Main Breaker: Ranges from 30-100A

Change last four digits for required ratings and mounting

For example:

42-12060 Represents load center 12 way with 60A main flush mounted

42-12100S Represents load center 12 way with 100A main surface mounted



Figure 9

LA Three-Phase LC With MCCB Main 30-100 AF

NO. OF WAYS		ORDERING NUMBER AND TYPE												
1 POLE	3 POLE	FLUSH	H	h	W	w	D	SURFACE	H	h	W	w	D	
12	4	42-L12100	620	590	370	343	105	42-L12100S	605	590	355	343	105	
18	6	42-L18100	700	670	370	343	105	42-L18100S	685	670	355	343	105	
24	8	42-L24100	773	743	370	343	105	42-L24100S	758	743	355	343	105	
30	10	42-L30100	878	848	370	343	105	42-L30100S	863	848	355	343	105	
36	12	42-L36100	960	930	370	343	105	42-L36100S	945	930	355	343	105	
42	14	42-L42100	1040	1010	370	343	105	42-L42100S	1025	1010	355	343	105	

Main Breaker: Ranges from 30-100A

Change last four digits for required ratings and mounting

For example:

42-L12060 Represents load center 12 way with 60A main flush mounted

42-L12100S Represents load center 12 way with 100A main surface mounted



Figure 10

LA Three-Phase LC With MCCB Main 125-225 AF

NO. OF WAYS		ORDERING NUMBER AND TYPE												
1 POLE	3 POLE	FLUSH	H	h	W	w	D	SURFACE	H	h	W	w	D	
12	4	42-L12225	620	590	370	343	105	42-L12225S	605	590	355	343	105	
18	6	42-L18225	700	670	370	343	105	42-L18225S	685	670	355	343	105	
24	8	42-L24225	773	743	370	343	105	42-L24225S	758	743	355	343	105	
30	10	42-L30225	878	848	370	343	105	42-L30225S	863	848	355	343	105	
36	12	42-L36225	960	930	370	343	105	42-L36225S	945	930	355	343	105	
42	14	42-L42225	1040	1010	370	343	105	42-L42225S	1025	1010	355	343	105	
48	16	42-L48225	1120	1090	370	343	105	42-L48225S	1105	1090	355	343	105	

Main Breaker: Ranges from 125-225A

Change last four digits for required ratings and mounting

For example:

42-L42125 Represents load center 42 way with 125A main flush mounted

42-L42225S Represents load center 42 way with 225A main surface mounted



Figure 11

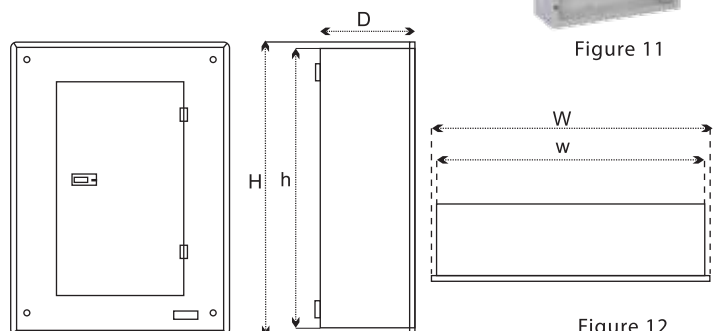


Figure 12

LA Three-Phase LC With MCCB Main 250 A

NO. OF WAYS		ORDERING NUMBER AND TYPE												
1 POLE	3 POLE	FLUSH	H	h	W	w	D	SURFACE	H	h	W	w	D	
18	6	42-18250	926	896	430	400	140	42-18250S	911	896	415	400	140	
24	8	42-24250	1002	972	430	400	140	42-24250S	987	972	415	400	140	
30	10	42-30250	1078	1048	430	400	140	42-30250S	1063	1048	415	400	140	
36	12	42-36250	1154	1124	430	400	140	42-36250S	1139	1124	415	400	140	
42	14	42-42250	1230	1200	430	400	140	42-42250S	1215	1200	415	400	140	
48	16	42-48250	1305	1275	430	400	140	42-48250S	1290	1275	415	400	140	

Main Breaker: 250A

Change last four digits for required ratings and mounting

For example:

42-42250 Represents load center 42 way with 250A main flush mounted

42-42250S Represents load center 42 way with 250A main surface mounted



Figure 13

LA Three-Phase LC With MCCB Main 300-400 AF

NO. OF WAYS		ORDERING NUMBER AND TYPE												
1 POLE	3 POLE	FLUSH	H	h	W	w	D	SURFACE	H	h	W	w	D	
24	8	42-24400	1186	1156	530	500	160	42-24400S	1171	1156	515	500	160	
30	10	42-30400	1262	1232	530	500	160	42-30400S	1247	1232	515	500	160	
36	12	42-36400	1338	1308	530	500	160	42-36400S	1323	1308	515	500	160	
42	14	42-42400	1414	1384	530	500	160	42-42400S	1399	1384	515	500	160	
48	16	42-48400	1490	1460	530	500	160	42-48400S	1475	1460	515	500	160	
54	18	42-54400	1570	1540	530	500	160	42-54400S	1555	1540	515	500	160	

Main Breaker: Ranges from 300-400A

Change last four digits for required ratings and mounting

For example:

42-42300 Represents load center 42 way with 300A main flush mounted

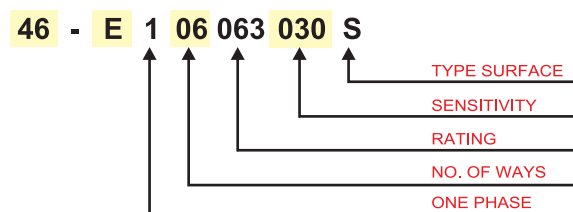
42-42400S Represents load center 42 way with 400A main surface mounted



Figure 14

LAE One-Phase LC With 2 Pole ELCB Main

NO. OF WAYS		ORDERING NUMBER AND TYPE												
1 POLE	FLUSH	H	h	W	w	D	SURFACE	H	h	W	w	D		
4	46-E104063030	327	298	250	220	95	46-E104063030S	303	298	225	220	95		
6	46-E106063030	380	350	250	220	95	46-E106063030S	355	350	225	220	95		
8	46-E108063030	380	350	250	220	95	46-E108063030S	355	350	225	220	95		
10	46-E110063030	471	441	250	220	95	46-E110063030S	446	441	225	220	95		
12	46-E112063030	522	492	250	220	95	46-E112063030S	522	492	225	220	95		
14	46-E114063030	573	543	250	220	95	46-E114063030S	548	543	225	220	95		
16	46-E116063030	624	594	250	220	95	46-E116063030S	599	594	225	220	95		



AVAILABLE RANGE:

1- 2P, 63A, 30mA

2- 2P, 63A, 100mA

3- 2P, 63A, 300mA*

4- 2P, 63A, 500mA*

*Will be manufactured on special request

Select The Main Sensitivity As Mentioned Above

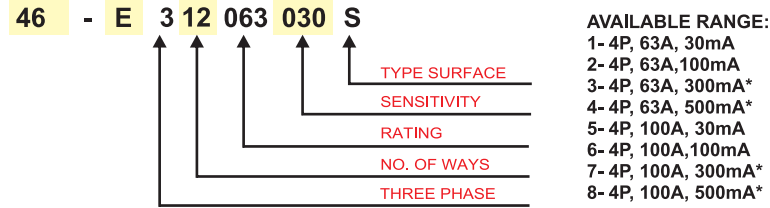


Figure 15

INDOOR TYPE

LAE Three-Phase LC With 4 Pole ELCB Main

NO. OF WAYS		ORDERING NUMBER AND TYPE												
1 POLE	3 POLE	FLUSH	H	h	W	w	D	SURFACE	H	h	W	w	D	
12	4	46-E312063030	542	515	367	343	105	46-E312063030S	527	515	352	343	105	
18	6	46-E318063030	618	591	367	343	105	46-E318063030S	603	591	352	343	105	
24	8	46-E324063030	697	667	367	343	105	46-E324063030S	682	667	352	343	105	
30	10	46-E330063030	773	743	370	343	105	46-E330063030S	758	743	355	343	105	
36	12	46-E336063030	878	848	370	343	105	46-E336063030S	863	848	355	343	105	
42	14	46-E342063030	960	930	370	343	105	46-E342063030S	945	930	355	343	105	



Select The Main Rating and Sensitivity As Mentioned Above *Will be manufactured on special request



Figure16

LAS Three-Phase 2 Sections LC With 3 Pole Main Isolator Or MCB And Both Sections Protected By 2 Nos. Of 4 Pole ELCBs

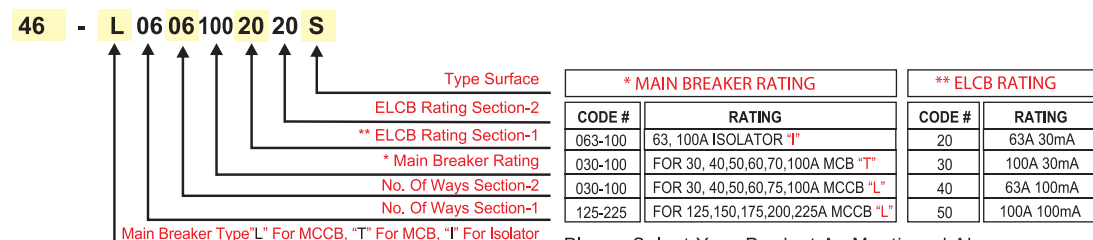
NO. OF WAYS		ORDERING NUMBER AND TYPE												
1 POLE	3 POLE	FLUSH	H	h	W	w	D	SURFACE	H	h	W	w	D	
6+6	2+2	46-I06061002020	620	590	370	343	105	46-I06061002020S	605	590	355	343	105	
12+6	4+2	46-I12061002020	696	666	370	343	105	46-I12061002020S	681	666	355	343	105	
12+12	4+4	46-I12121002020	780	750	370	343	105	46-I12121002020S	765	750	355	343	105	
18+12	6+4	46-I18121002020	848	818	370	343	105	46-I18121002020S	833	818	355	343	105	
18+18	6+6	46-I18181002020	928	898	370	343	105	46-I18181002020S	913	898	355	343	105	
24+18	8+6	46-I24181002020	1004	974	370	343	105	46-I24181002020S	989	974	355	343	105	



Figure17

LAS Three-Phase 2 Sections LC With 3 Pole Main MCCB And Both Sections Protected By 2 Nos. Of 4 Pole ELCBs

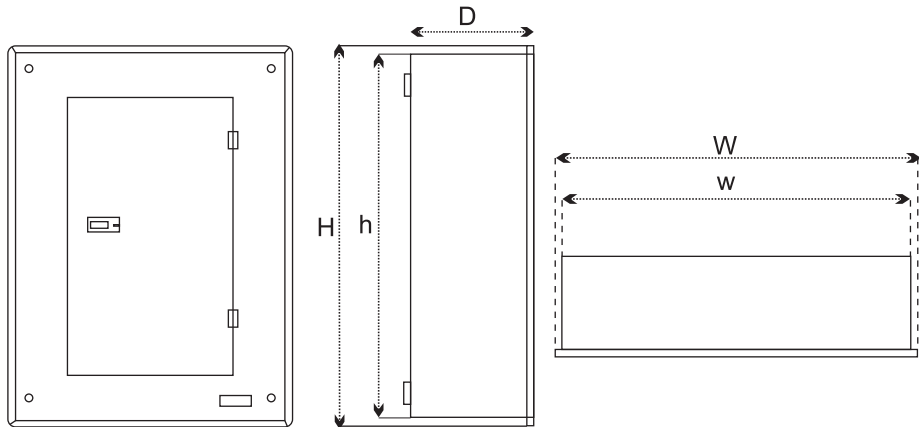
NO. OF WAYS		ORDERING NUMBER AND TYPE												
1 POLE	3 POLE	FLUSH	H	h	W	w	D	SURFACE	H	h	W	w	D	
6+6	2+2	46-L06061002020	816	786	430	400	105	46-L06061002020S	800	786	414	400	105	
12+6	4+2	46-L12061002020	892	862	430	400	105	46-L12061002020S	876	862	414	400	105	
12+12	4+4	46-L12121002020	968	938	430	400	105	46-L12121002020S	952	938	414	400	105	
18+12	6+4	46-L18121002020	1044	1014	430	400	105	46-L18121002020S	1028	1014	414	400	105	
18+18	6+6	46-L18181002020	1120	1090	430	400	105	46-L18181002020S	1104	1090	414	400	105	
24+18	8+6	46-L24181002020	1196	1166	430	400	105	46-L24181002020S	1180	1166	414	400	105	



Please Select Your Product As Mentioned Above



Figure18



LAS Three-Phase 2 Sections LC With 3 Pole Main Isolator Or MCB And One Sections Protected By 4 Pole ELCB

NO.OFWAYS		ORDERING NUMBER AND TYPE												
1 POLE	3 POLE	FLUSH	H	h	W	w	D	SURFACE	H	h	W	w	D	
6+6	2+2	46-I060610020	620	590	370	343	105	46-I060610020S	605	590	355	343	105	
12+6	4+2	46-I120610020	696	666	370	343	105	46-I120610020S	681	666	355	343	105	
12+12	4+4	46-I121210020	780	750	370	343	105	46-I121210020S	765	750	355	343	105	
18+12	6+4	46-I181210020	848	818	370	343	105	46-I181210020S	833	818	355	343	105	
18+18	6+6	46-I181810020	928	898	370	343	105	46-I181810020S	913	898	355	343	105	
24+18	8+6	46-I241810020	1004	974	370	343	105	46-I241810020S	989	974	355	343	105	



Figure19

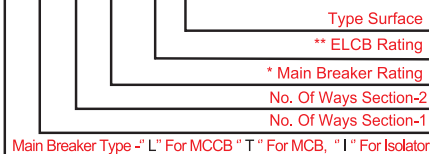
LAS Three-Phase 2 Sections LC With 3 Pole Main MCCB And One Sections Protected By 4 Pole ELCB

NO.OFWAYS		ORDERING NUMBER AND TYPE												
1 POLE	3 POLE	FLUSH	H	h	W	w	D	SURFACE	H	h	W	w	D	
6+6	2+2	46-L060610020	816	786	430	400	105	46-L060610020S	800	786	414	400	105	
12+6	4+2	46-L120610020	892	862	430	400	105	46-L120610020S	876	862	414	400	105	
12+12	4+4	46-L121210020	968	938	430	400	105	46-L121210020S	952	938	414	400	105	
18+12	6+4	46-L181210020	1044	1014	430	400	105	46-L181210020S	1028	1014	414	400	105	
18+18	6+6	46-L181810020	1120	1090	430	400	105	46-L181810020S	1104	1090	414	400	105	
24+18	8+6	46-L241810020	1196	1166	430	400	105	46-L241810020S	1180	1166	414	400	105	



Figure20

46 - L 06 06 100 20 S



* MAIN BREAKER RATING		** ELCB RATING	
CODE #	RATING	CODE #	RATING
063-100	63, 100A ISOLATOR "I"	20	63A 30mA
030-100	FOR 30, 40, 50, 60, 70, 100A MCB "T"	30	100A 30mA
030-100	FOR 30, 40, 50, 60, 75, 100A MCCB "L"	40	63A 100mA
125-225	FOR 125, 150, 175, 200, 225A MCCB "L"	50	100A 100mA

Please Select Your Product As Mentioned Above

2- OUTDOOR TYPE

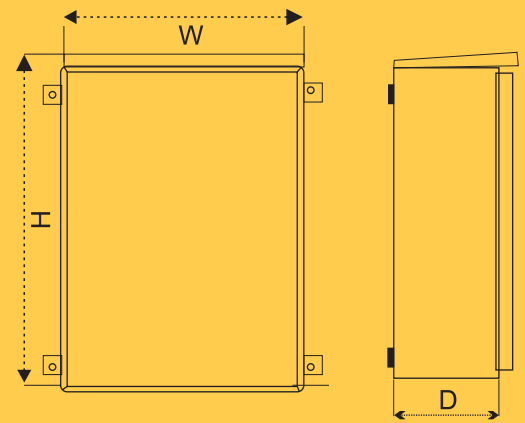


Figure 21

LA Three-Phase LC With MCB Main 30-100 AF

NO. OF WAYS		ORDERING NUMBER AND TYPE			
1 POLE	3 POLE	CODE	H	W	D
12	4	42-WP12100	515	350	160
18	6	42-WP18100	592	350	160
24	8	42-WP24100	668	350	160
30	10	42-WP30100	745	350	160
36	12	42-WP36100	821	350	160
42	14	42-WP42100	898	350	160

Main Breaker: Ranges from 30-100A
 Change last three digits for required ratings
 For example:
 42-WP12030 Represents load center 12 way with 30A main
 42-WP12100 Represents load center 12 way with 100A main



Figure 22

LA Three-Phase LC With MCCB Main 30-100 AF

NO. OF WAYS		ORDERING NUMBER AND TYPE			
1 POLE	3 POLE	CODE	H	W	D
12	4	42-WPL12100	555	350	160
18	6	42-WPL18100	632	350	160
24	8	42-WPL24100	708	350	160
30	10	42-WPL30100	785	350	160
36	12	42-WPL36100	861	350	160
42	14	42-WPL42100	938	350	160

Main Breaker: Ranges from 30-100A
 Change last three digits for required ratings
 For example:
 42-WPL18030 Represents load center 18 way with 30A main
 42-WPL18100 Represents load center 18 way with 100A main



Figure 23

Three-Phase LC With MCCB Main 125-225 AF

NO. OF WAYS		ORDERING DETAILS AND TYPE			
1 POLE	3 POLE	CODE	H	W	D
12	4	42-WPL12225	615	350	160
18	6	42-WPL18225	692	350	160
24	8	42-WPL24225	768	350	160
30	10	42-WPL30225	845	350	160
36	12	42-WPL36225	921	350	160
42	14	42-WPL42225	998	350	160
48	16	42-WPL48225	1074	350	160

Main Breaker: Ranges from 125-225A

Change last three digits for required ratings

For example:

42-WPL42125 Represents load center 42 way with 125A main

42-WPL42225 Represents load center 42 way with 225A main



Figure 24

Three-Phase LC With MCCB Main 250 A

NO. OF WAYS		ORDERING DETAILS AND TYPE			
1 POLE	3 POLE	CODE	H	W	D
24	8	42-WP24250	800	400	180
30	10	42-WP30250	877	400	180
36	12	42-WP36250	953	400	180
42	14	42-WP42250	1030	400	180
48	16	42-WP48250	1106	400	180

Main Breaker: 250A

Change last three digits for required ratings

For example:

42-WP42250 Represents load center 42 way with 250A main

42-WP48250 Represents load center 48 way with 250A main



Figure 25

Three-Phase LC With MCCB Main 300-400 AF

NO. OF WAYS		ORDERING DETAILS AND TYPE			
1 POLE	3 POLE	CODE	H	W	D
30	10	42-WP30400	1232	500	200
36	12	42-WP36400	1309	500	200
42	14	42-WP42400	1385	500	200
48	16	42-WP48400	1462	500	200

Main Breaker: Ranges from 300-400A

Change last three digits for required rating

For example:

42-WP42300 Represents load center 42 way with 300A main

42-WP42400 Represents load center 42 way with 400A main



Figure 26

● LA KNOCKOUTS

LA 3 PH 100A MCB 12W - 42W

A- $\varnothing 21/\varnothing 27$	DOUBLE KNOCKOUT -2 Nos.
B- $\varnothing 38.5/\varnothing 44$	DOUBLE KNOCKOUT -6 Nos.
C- $\varnothing 19/\varnothing 25$	TRIPLE KNOCKOUT -16 Nos.
D- $\varnothing 44/\varnothing 54.5/\varnothing 64$	TRIPLE KNOCKOUT -4 Nos.
E- $\varnothing 23/\varnothing 28/\varnothing 33$	TRIPLE KNOCKOUT -4 Nos.
F- $\varnothing 44/\varnothing 50/\varnothing 62$	TRIPLE KNOCKOUT -2 Nos.
G- WALL MOUNTING EMBOSS WITH KEY HOLE	- 4 Nos.

Notes:

- All dimension are in mm
- The details in this drawing indicate dimensions and knockout positions for one **alfanar** Load Center. Knockout details for other Load Center types, shown in this catalogue, are available on request

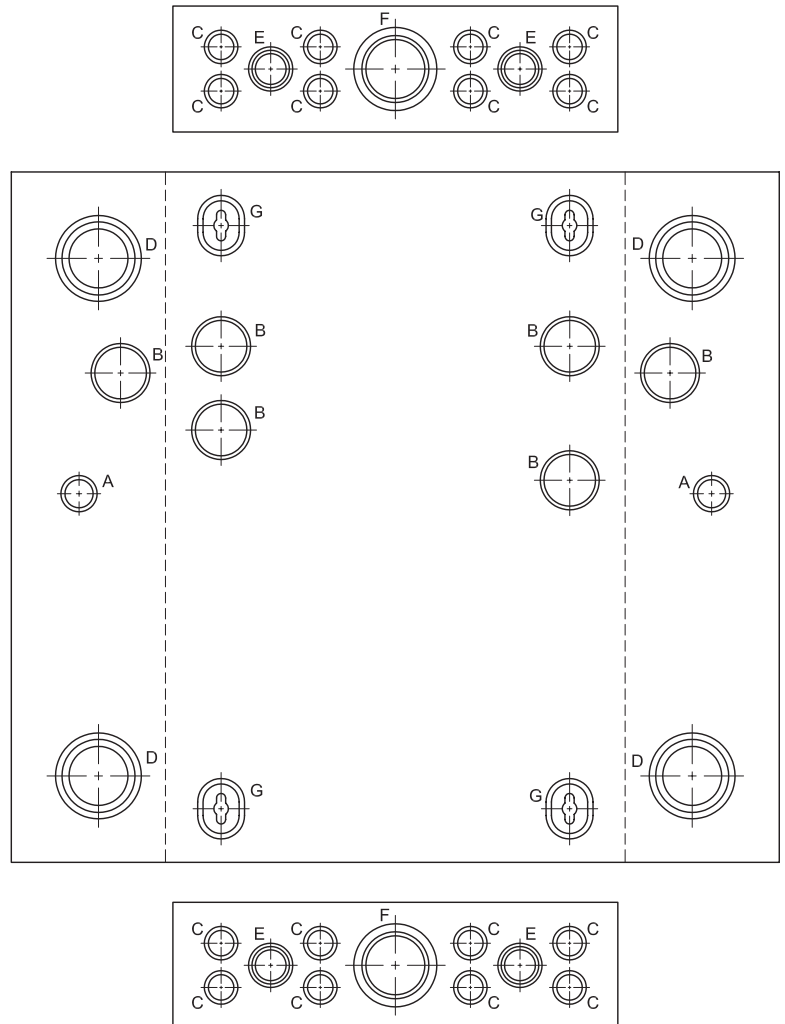


Figure 27

● TESTING

All alfanar load centers type (LA) are type tested for complete sequence as per international standards.

Each of our products under go strict quality control check and is routinely checked for:

Dielectric Test	: A high voltage routine test
Electrical Continuity Test	: To confirm correct assembly & operation
Insulation Resistance Test	: To ensure high insulation resistance

Moulded Case Circuit Breaker (MCCB)

alfanar MOULDED CASE CIRCUIT BREAKER ELA

S/NO.	Description
1	alfanar MCCB 3P(ELA) 30A
2	alfanar MCCB 3P(ELA) 40A
3	alfanar MCCB 3P(ELA) 50A
4	alfanar MCCB 3P(ELA) 60A
5	alfanar MCCB 3P(ELA) 75A
6	alfanar MCCB 3P(ELA)100A

alfanar MOULDED CASE CIRCUIT BREAKER ELB

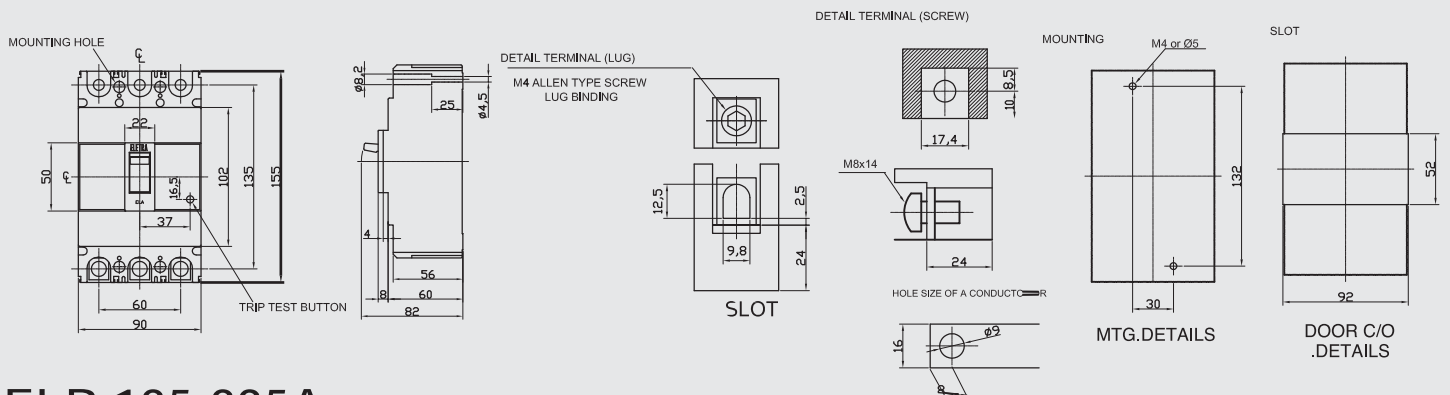
S/NO.	Description
1	alfanar MCCB 3P(ELB) 125A
2	alfanar MCCB 3P(ELB) 150A
3	alfanar MCCB 3P(ELB) 175A
4	alfanar MCCB 3P(ELB) 200A
5	alfanar MCCB 3P(ELB) 225A



Figure 28

Dimensions

ELA 30-100A



ELB 125-225A

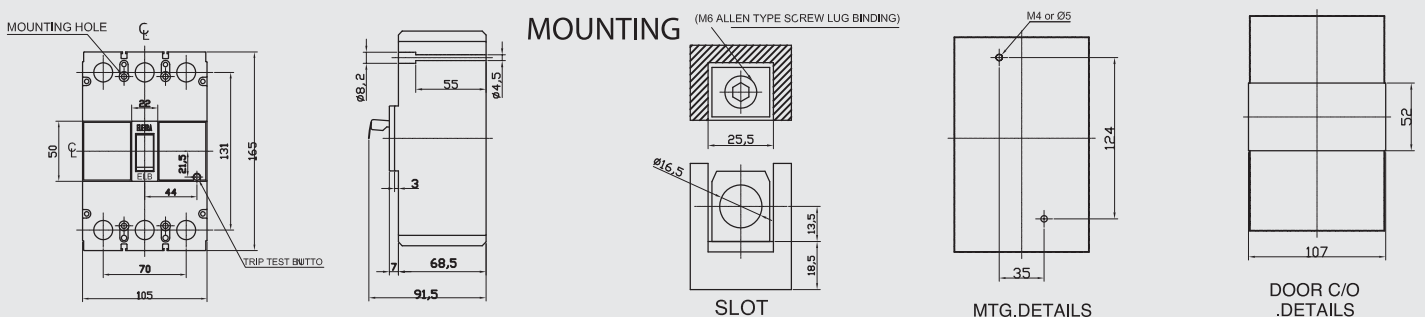


Figure 29

Moulded Case Circuit Breaker (MCCB)

TECHNICAL SPECIFICATION

alfanar MOULDED CASE CIRCUIT BREAKER			
Frame size (AF)		100	225
Frame Type		ELA	ELB
Breaking capacity (kA), Icu at 415V AC		14	14
Number of poles		3	3
Type	3 pole	ELA 100A	ELB 225A
Rated current (A) at 50 °C		30,40	125,150
		50,60,75,100	175,200,225
Technical data conforming to IEC/EN60947-2			
Rated operational voltage (V) Ue (50/60 Hz)		600	600
Rated operational voltage (V) Ue (DC)		250	250
Rated insulation voltage (V) Ui (50/60Hz)		690	690
Rated impulse withstand voltage (kv)uimp		6	6
Ultimate breaking capacity (kA)Icu			
AC 50/60 Hz	220/240V	25	25
	380/415V	14	14
	440/460V	14	14
	480/500V	7.5	7.5
	600V	7.5	7.5
DC	125V	15	15
	250V	10	10
Service breaking capacity(%Icu).Ics		50	50
Category of use		A	A
Endurance (number of operations)	mechanical	8500	7000
	electrical	1500	1000
Type of trip unit:			
-Thermal-magnetic release		fixed	fixed
-Electronic release		-	-
-Pre-alarm via LED		-	-
-Hydraulic-magnetic release		-	-
Accessories		-	-
Dimensions (WxHxD) mm		90x155x60	105x165x68.5
Weight (kg) - MAX		1.1	1.3



CERTIFICATION

alfanar products are approved by:

- SEC
- Saudi Electric Company
- Saudi Aramco
- Saudi Arabian Oil Company
- SABIC
- Saudi Basic Industries Corporation
- Royal Commission For Jubail and Yanbu
- SASO
- Saudi Arabian Standards Organization
- Several Ministries, Universities and Governmental Organizations In Saudi Arabia
- Abu Dhabi Water and Electricity Board
- Ministry Of Electricity, Bahrain
- State Electricity Board, Qatar
- Public Electricity Corporation- Ministry Of Electricity, Yemen

OUR OBJECTIVE

WE REACH EXACTING STANDARDS IN THE SAFETY AND DISTRIBUTION OF POWER AND GO WELL BEYOND A CUSTOMER'S EXPECTATIONS. THIS IS DONE BY FOCUSING OUR TECHNOLOGY AND EXPERTISE ON THE ULTIMATE REWARD WE CAN GET, COMPLETE SATISFACTION OF OUR CUSTOMERS.

QUALITY POLICY

The Quality Policy of alfanar is, to:

- Provide products conforming to governing standards and of consistent quality
- Excel in all our operations to achieve customers' satisfaction for products and services through continual improvement
- Develop and maintain a motivated team of competent employees and vendors
- Redefine and execute new processes/systems that meet market requirements.

alfanar PRODUCTS

- Switch and Socket Boxes
- Junction Boxes
- Metal Enclosures IP65
- Stainless Steel Enclosures NEMA-4x
- Telephone Enclosures
- Circuit Breaker Enclosures
- Busbar Chamber With Multiple Outlets
- Modular Enclosures
- Load Centers
 - NEMA Type LA Load Centers
 - IEC Type LD Load Centers
 - Split Busbar Units Type LAS/ LDS Load Centers
 - Raysan Load Centers
 - ALF Load Centers
- MCCB Distribution Boards
- Pump Control Panels
- Motor Control Centers
- LV Switchboards up to 6300A, Tested For 100KA - 1 sec Short Circuit Withstand
- Package Substations
- Control and Automation Panels
- Relay and Control Panels
- Medium Voltage Switchgears
- Pole Mounted Metering Structures
- AC/DC Panels up to 5000A , Tested For 85KA - 1 sec Short Circuit Withstand
- Extendable and Non-Extendable Ring Main Units



K.S.A. Toll Free: 800 124 1333
www.alfanar.com

As improvement of alfanar products is an ongoing process, technical specifications and other details shown in this catalogue may change from time to time